



COMPOSITES FOR LASTING PERFORMANCE
Cable Management Systems



www.exel.net

Cabsys® Rail 2

- **LOADING** 90 kg/m
- **SPAN UP TO** 6 meters

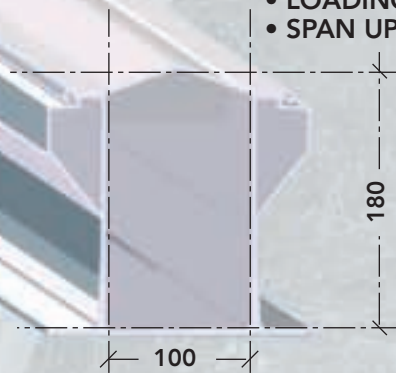


Approvals from the German Railways/ Deutsche Bahn (DB) and the Federal Railway Authority/Eisenbahn-Bundesamt (EBA) and DB-Telematik.



Cabsys® Rail 1

- **LOADING** 45 kg/m
- **SPAN UP TO** 6 meters



CABSYS® RAIL

elevated cable tray system was especially developed for the **German Railways** (Deutsche Bahn). The tray shapes engineered for **maximum robustness** and **stability** meeting all the strictest loading requirements over 6 meter long spans.

REFERENCES

Exel has successfully carried out numerous projects, meeting the highest requirements and standards. Some references for Cabsys Rail 1+2:

- Alcatel Contracting GmbH
- Österreichische Bundesbahn (ÖBB)
- Frankenluk Energieanlagenbau GmbH
- BBL Bahnbau Luneburg GmbH
- Bauer Kabel GmbH&Co. KG
- DB-Telematik GmbH
- DGT GmbH

Partnered with Domine Verkehrstechnik GmbH

Cabsys®

- **LOADING** 45 kg/m
- **SPAN UP TO** 3 meters

60,80,110,
210 (only 150 tray)

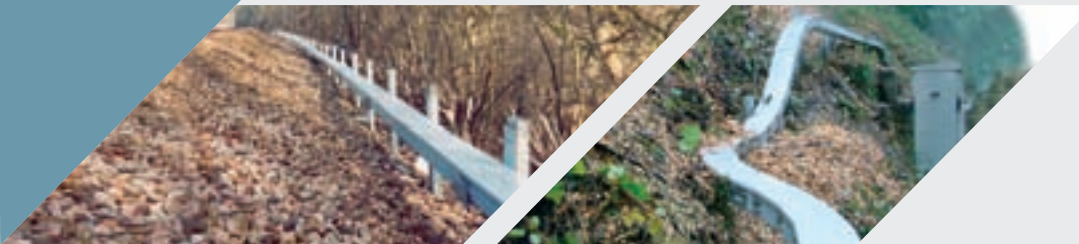
100, 150, 200, 300, 400

Tested to national standards (fire, smoke, toxicity) and approved for use by London Underground Limited (LUL) and Network Rail

COMPOSITES

are increasingly gaining ground from traditional materials due to their numerous benefits and lasting performance in demanding environments.

Exel, having a long experience in composites, can offer a versatile range of solutions for cable management, from standard product range to customer-tailored solutions.



THE SUPERIOR FEATURES OF EXEL COMPOSITE CABLE TRAYS

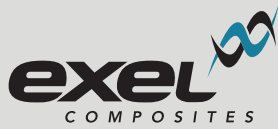
- Corrosion free
- High load carrying capacity even with long spans
- Light weight, easy to install
- Electrically insulating
- Complete system

CABSYS®

Cable Trays were developed for a comprehensive range of cable management needs in environments beyond reach of traditional materials; where **corrosion resistance** and **lasting mechanical performance** are key requirements.

- Chemical and process industry
- Offshore, oil, gas, waterfront and maritime environments
- Railway & Tunnel and many more.

Partnered with Mita.



EXEL Composites NV

Industriepark
De Bruwaan 2
B-9700 Oudenaarde
Belgium
Tel. +32-55 33 30 11
Fax. +32-55 33 30 50
www.exel.net

EXEL Oyj

Muovilaaksontie 2
FIN-82110 Heinävaara
Finland
Tel. +358-20 7541 200
Fax. +358-20 7541 330
e-mail: profiles@exel.fi
www.exel.net

EXEL Composites UK

Fairoak Lane, Whitehouse,
Runcorn, Cheshire WA7 3DU
Tel. +44-1928 701 515
Fax. +44-1928 713 572
www.exel.net

Further contact
details at www.exel.net

Exel is a leading composite technology company that designs and manufactures composite i.e. glass- or carbon fibre reinforced industrial profiles and laminates for industrial applications and sports equipment. Exel was founded in 1960 and has been listed on the Helsinki Exchange since 1998.

Continuous lamination enables the production of thin glass- and carbon laminates with very good mechanical properties. **Pultrusion** and **Pullwinding** technologies enable us to create optimised structures for each product according to customer requirements. Our long experience and continuous product development ensure always the most optimised solutions for our customers to be at the leading position in their field of business.

Distributed by:

Copyright Exel • All rights reserved

www.exel.net